



STAINLESS STEEL LETTERPLATE



PRODUCT DESCRIPTION

Designed to help fabricators and installers truly differentiate their offer, the Superior 25 Stainless Steel Letterplate is perfect for tough environments and adds elegance to any door. Offering unrivalled protection against corrosion, the Endurance Stainless Steel Letterplate combines strong aesthetic appeal with long service life and high functionality.

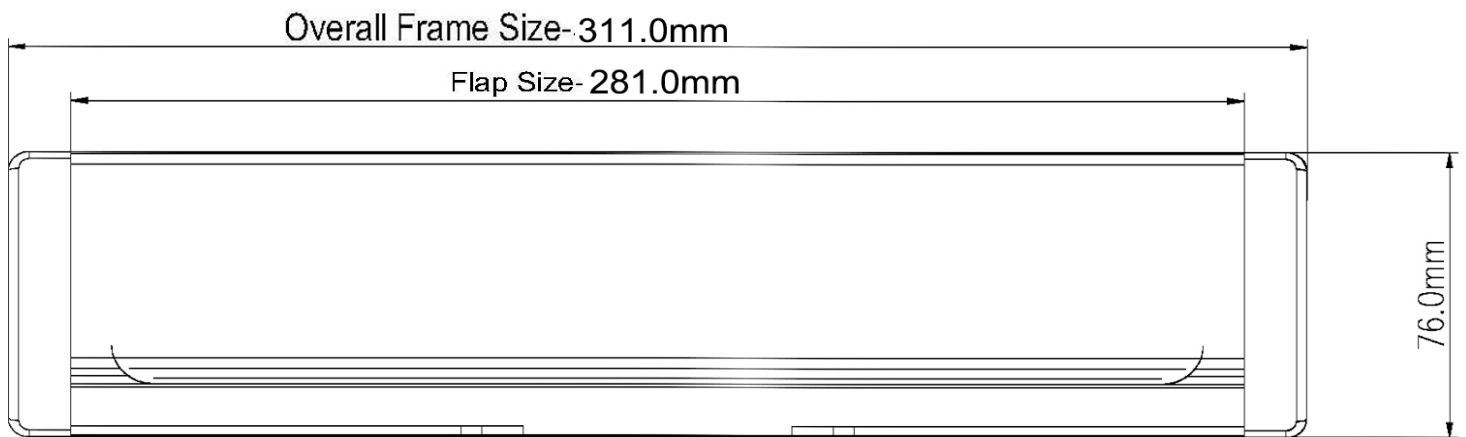
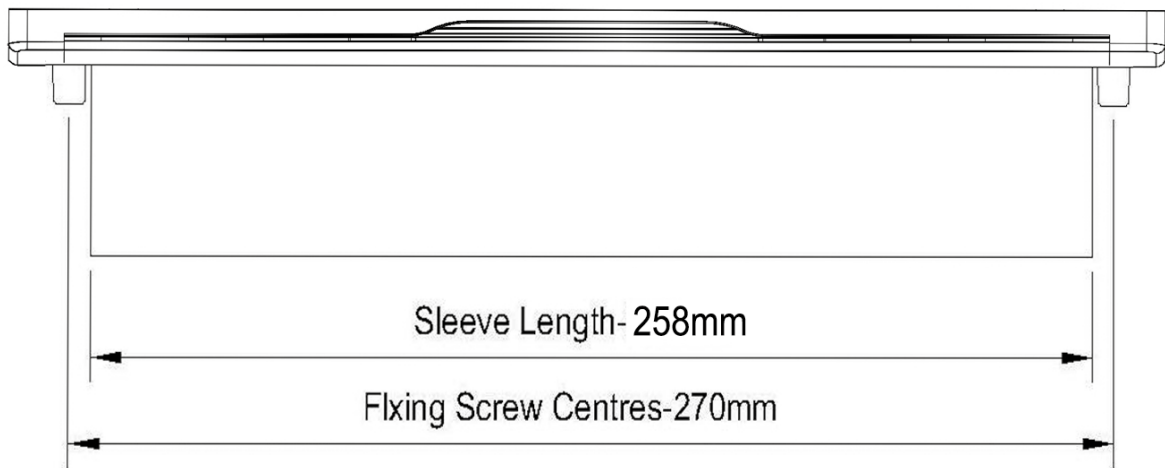
FEATURES & BENEFITS

- Elegant ergonomic design with superior aesthetics
 - Part of the fully suited Superior 25 Range
- External weather seal & internal draught seal
- Manufactured from 304 Grade Stainless Steel
- Six finishes available; White, Black, Chrome, Gold, Brushed Stainless, and Flint
 - 10 Year mechanical guarantee
 - 25 Year surface guarantee
- Coating tested to BS.EN: 2007 Grade 5

∞
SUPERIOR 25



STAINLESS STEEL LETTERPLATE



PACKAGING

Each outer box contains 10 individually boxed letterplates, each with screws included.

MAINTENANCE

To maintain a high quality appearance and operation we recommend that all external hardware is cleaned routinely, and moving parts are lightly lubricated a minimum of twice a year. Products used within a 1 mile radius of coastal areas, building sites or large industrial areas, more regular cleaning will be required to prevent build up of corrosive contaminants.

CALL US - 0113 243 2255

EMAIL US - sales@totalhardwareltd.co.uk

www.totalhardwareltd.co.uk/quantum-range